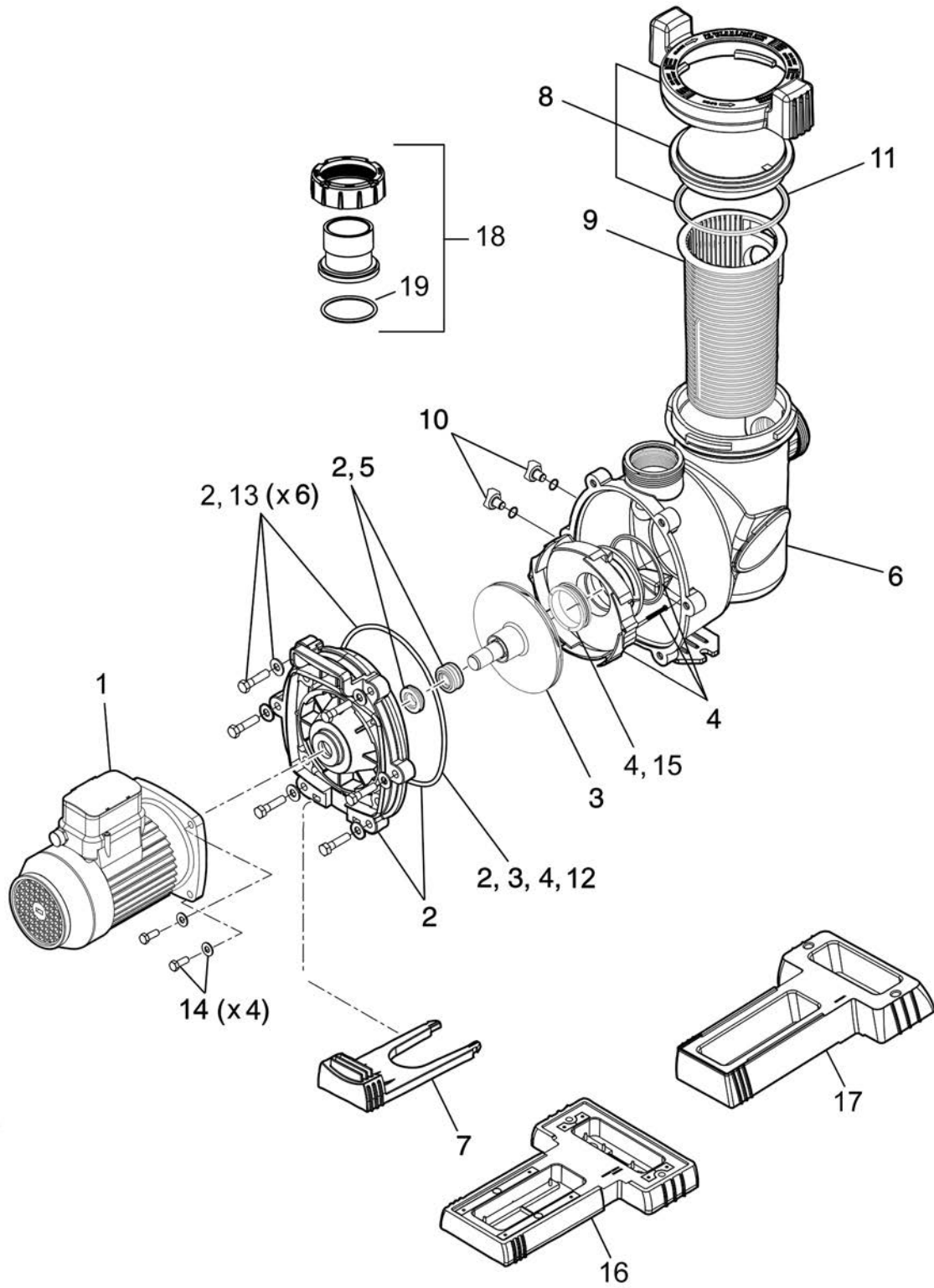




# FloPro™ e3 - Variable speed



Position	Description	Reference
1	Pump motor assembly, FloPro e3 100	R0728200
2	Backplate kit FHP (with hardware, Oring & mechanical seal)	R0479500
3	Impeller FHP 100 (w/ backplate Oring)	R0757900
4	Diffuser FHP (with Oring, Hardware & Backplate Oring)	W0479700
5	Mechanical seal FHP (set)	R0728500
6	Pump body FHP (with backplate Oring)	R0479800
7	Motor mounting foot	R0479901
8	Lid FHP (with locking ring & Oring)	R0480001
9	Filter basket FHP	R0480101
10	Drain plug with Oring (set of 2)	R0446001
11	Lid Oring	R0480201
12	Backplate Oring FHP	R0480301
13	Backplate Hardware (bolts, washers & backplate Oring)	R0480501
14	Motor bolts & washers	R0446702
15	Slip ring FHP	R0746800
16	Small pump base	R0486701
17	Large pump base	R0546401
18	63/50mm union tailpiece kit (x2)	R0728700
19	Tailpiece Oring kit (x2)	R0728800