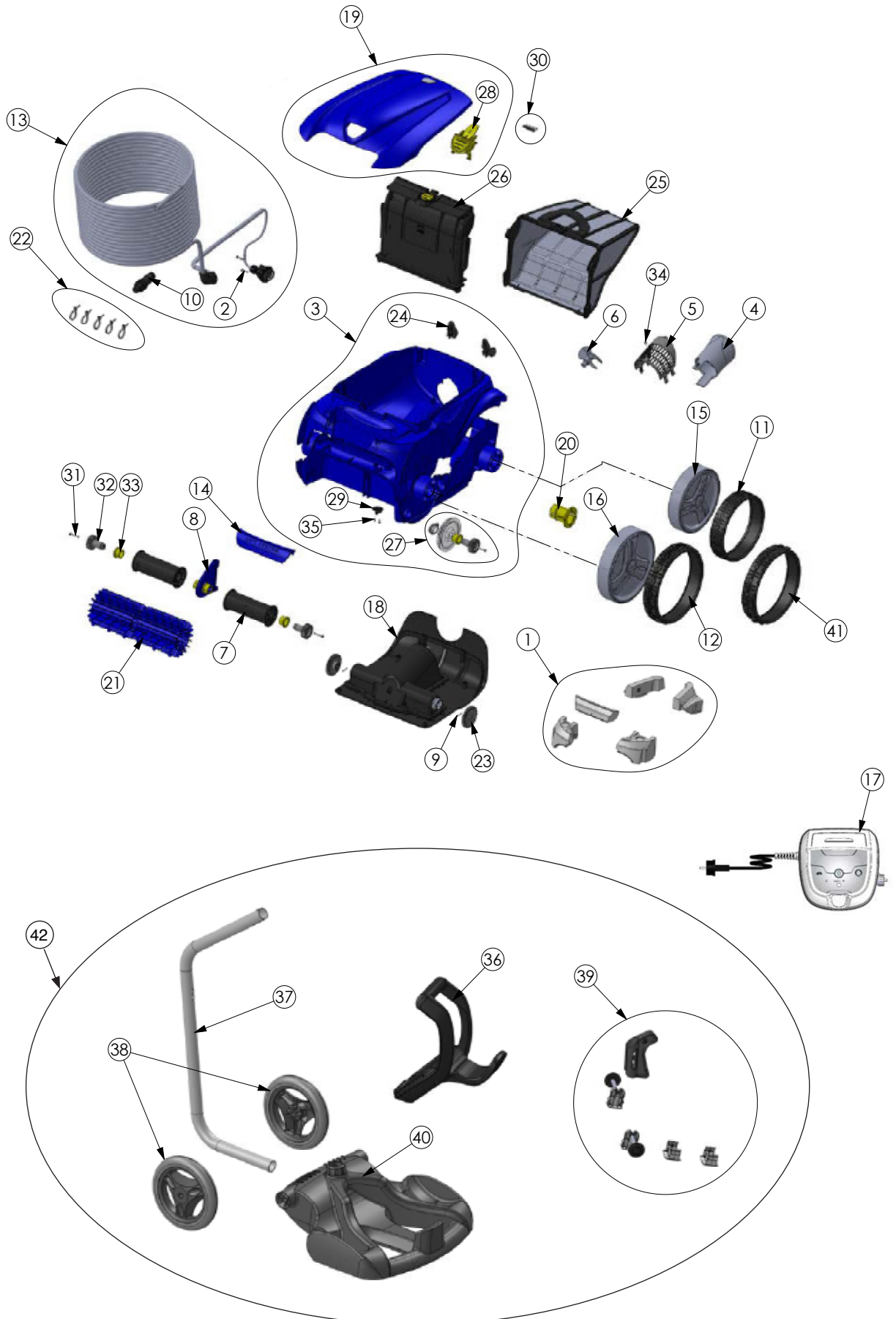




RV 4400



Position	Description	Reference
1	Float	R0539700
2	Screw 4*16mm (set of 5)	R0608500
3	Main housing 2wd ii	R0589100
4	Flow outlet	R0517500
5	Motor screen	R0517600
6	Propeller	R0517000
7	Brush roller	R0517400
8	Roller support	R0518700
9	Motor block shaft pin (set of 5)	R0567800
10	Floating cable plug	R0565600
11	Tire rear black zodiac	R0636300
12	Tire large black zodiac	R0636201
13	Floating cable 18m	R0516800
14	Handle pms295 ls	R0636500
15	Rim rear r9022 zodiac	R0636100
16	Rim large r9022 zodiac	R0636001
17	Control unit type 1v	R0636900
18	Motor block type a	R0637800
19	Hood blue	R0544700
20	Wheel bushing zodiac	R0636700
21	Zodiac brush (set of 2)	R0635900
22	Floating cable clamp (set of 5)	R0567900
23	Drive gear (set of 2)	R0518800
24	Roller (set of 2)	R0518100
25	Fine filter v	R0636600
26	Filter canister support	R0517700
27	Transmission	R0517200
28	Cover latch grip pms108	R0638700
29	Rampe	R0519000
30	Screw 4*12 mm (set of 5)	R0516700
31	Screw 4*25 mm (set of 5)	R0638900
32	17 Gear (*2)	R0639000
33	Outer bearing (*2)	R0639100
34	Screw 2.9*9.5 Mm (set of 5)	R0639200
35	Screw 2.2*6,5Mm (*5)	R0564500
36	Caddy handle	R0565000
37	Caddy tube	R0565200
38	Caddy wheels (*2)	R0565100
39	Caddy accessories	R0564900
40	Caddy base	R0564800
41	Tire large tile zodiac	R0636400
42	Complete trolley	R0609100